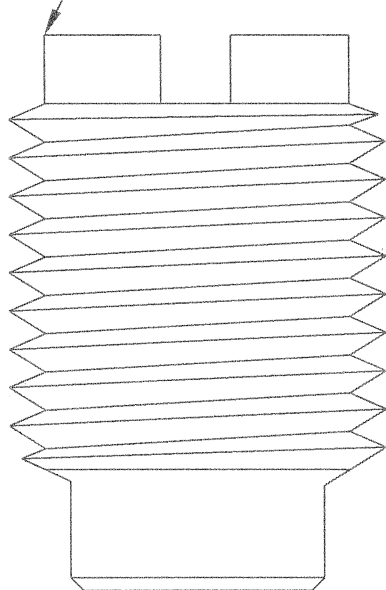
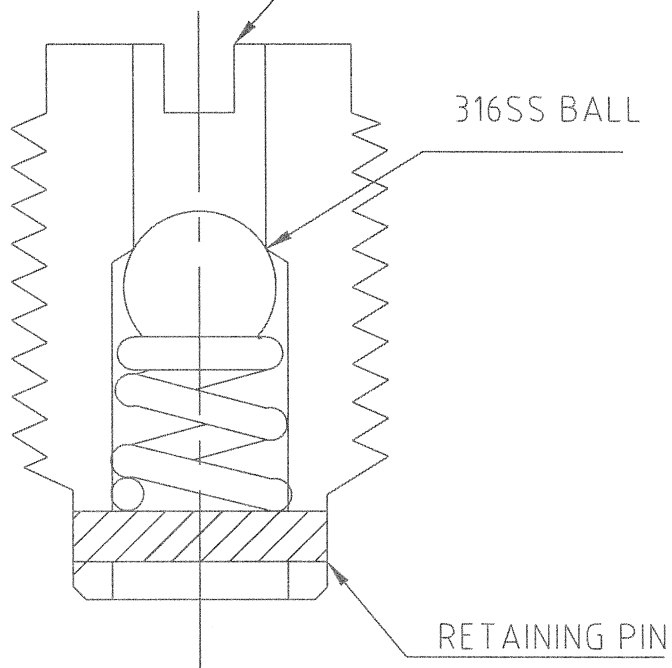


316 STAINLESS STEEL



FLAT BLADE
SCREW DRIVE HEAD



316SS BALL

RETAINING PIN

SINGLE BALL SPRING CHECK FITTING	
PART#	THREAD SIZE
PF-ICS12	1/2NPT
PF-ICS38	3/8NPT
PF-ICS14	1/4NPT



PRESSURELUBE
INTERNATIONAL

ON LINE VALVE LUBRICATION & SEALING
23 JACKSON STREET, BASSENDEAN
WESTERN AUSTRALIA 6054
PHONE: +61-8-9379 1200 FAX: 61-8-9279 9929
www.pressurelube.com.au
info@pressurelube.com.au

TITLE: PLI INTERNAL CHECK FITTING

DRAWING NUMBER: PLI-C

DRAWN BY: DAVID BRAMLEY

© COPYRIGHT

DATE:5/8/09