



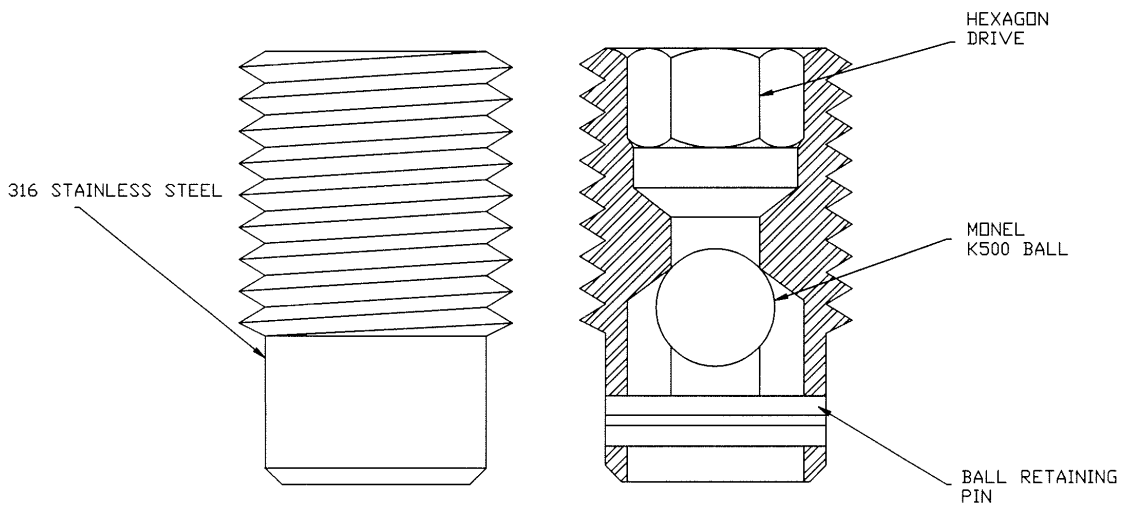
Internal Check Fitting

PART NO: PLI-ICF

The I.C.F. is installed before the lube fitting.

PART NUMBER

PLI-ICF



SINGLE (SPRING LOADED) BALL CHECK FITTING	
PART#	THREAD SIZE
PLI-IC1	1" - 8
PLI-IC78	7/8" - 9
PLI-IC34	3/4" - 10
PLI-IC12	1/2" - 13
PLI-IC14	1/4" - 20

OPTIONS: Alternate configurations, Threads, Materials and Plating are available on request.

PROPRIETARY NOTICE:
THIS DATA AND THE INFORMATION CONTAINED HEREIN ARE THE PROPERTY OF PRESSURE LUBE INTERNATIONAL AND SHALL NOT BE USED OR REPRODUCED OR DISCLOSED FOR ANY PURPOSE WITHOUT THE EXPRESS CONSENT OF PRESSURE LUBE INTERNATIONAL.