

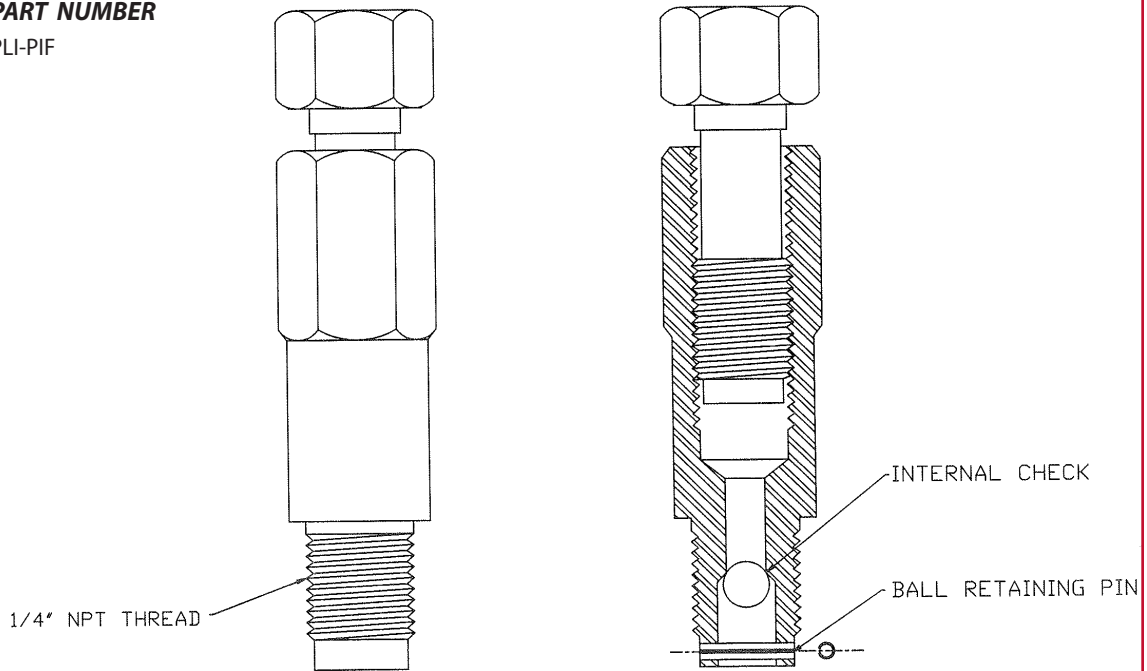
## Packing Injection Fitting

**PART NO: PLI-PIF**

The P.I.F. is installed to the stem of a valve to assist in stem sealing.

**PART NUMBER**

PLI-PIF



PACKING INJECTION FITTING	
<b>PART#</b>	<b>PLI-PIF</b>
PLI-PIF14	1/4" MPT
PLI-PIF38	3/8" MPT
PLI-PIF38	1/2" MPT
Material: 316 SS	
Plating: Zn + Cr <sub>2</sub> O <sub>4</sub>	
<i>OPTIONS:</i> Alternative material (S1214 plated) grades, plating and attachment threads available on request	

THIS DATA AND THE INFORMATION CONTAINED HEREIN ARE THE PROPERTY OF PRESSURE LUBE INTERNATIONAL AND SHALL NOT BE USED OR REPRODUCED OR DISCLOSED FOR ANY PURPOSE WITHOUT THE EXPRESS CONSENT OF PRESSURE LUBE INTERNATIONAL.



**ON LINE VALVE LUBRICATION & SEALING**

23 JACKSON STREET, BASSENDEAN  
WESTERN AUSTRALIA 6054  
PHONE: +61-8-9379 1200 FAX: 61-8-9279 9929

TITLE: PL PACKING INJECTION FITTING

DRAWING NUMBER: PLI-PIF

DRAWN BY: DAVID BRAMLEY

© COPYRIGHT

DATE: 3/5/05