



PRESSURELUBE
INTERNATIONAL

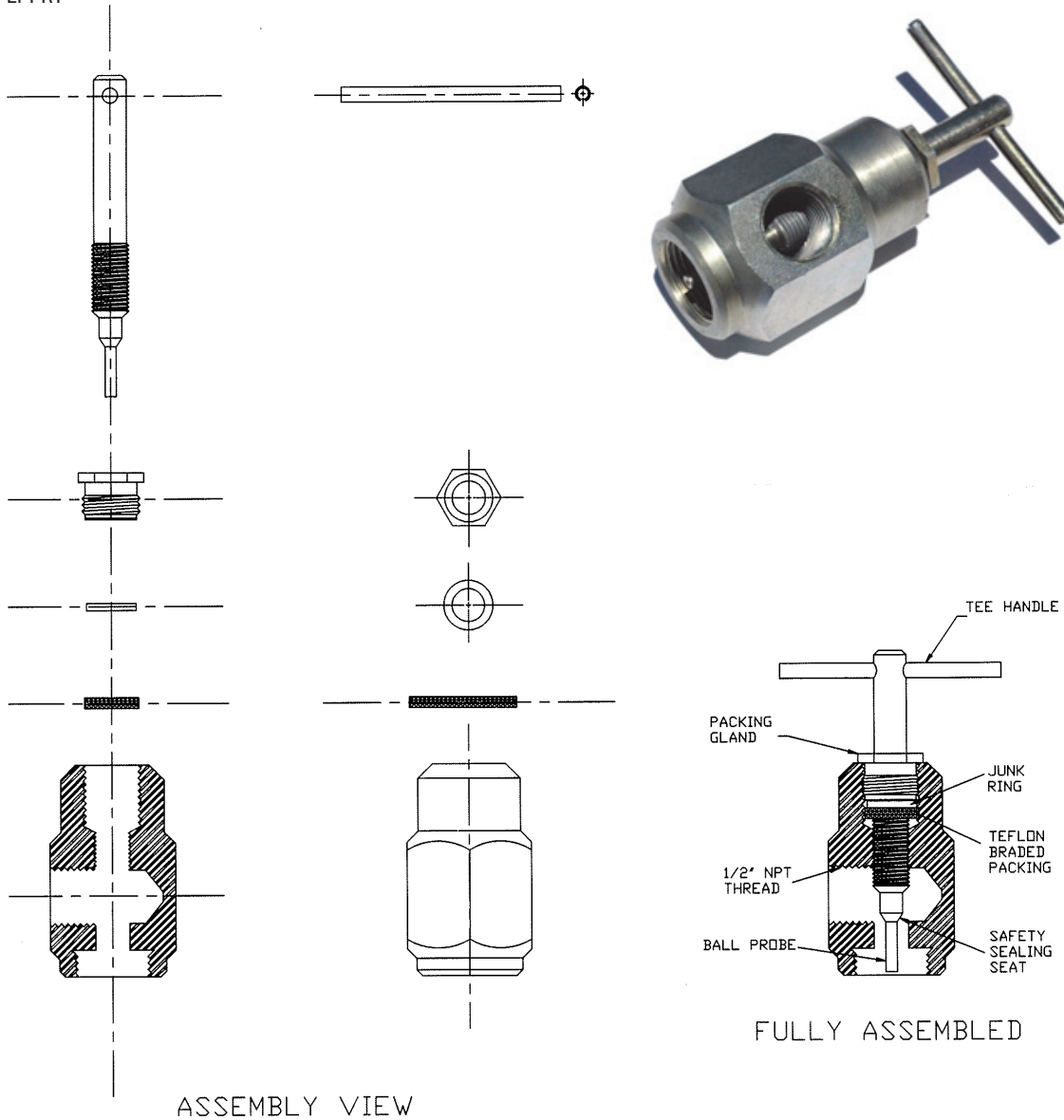
Pressure Relief Tool

PART NO: PLI-PRT

The PLI Pressure Relief Tool is used to screw onto the lube fitting to vent pressure.

PART NUMBER

PLI-PRT



PRESSURE RELIEF TOOL	
MATERIAL	S1214
PLATING	Zn + Cr ₂ O ₄
STANDARD THREAD	1"-14 UNS
OPTIONS : Alternate Thread Sizes Available on Request	

PROPRIETARY NOTICE:
THIS DATA AND THE INFORMATION CONTAINED HEREIN ARE THE PROPERTY OF
PRESSURE LUBE INTERNATIONAL AND SHALL NOT BE USED OR REPRODUCED OR DISCLOSED
FOR ANY PURPOSE WITHOUT THE EXPRESS CONSENT OF PRESSURE LUBE INTERNATIONAL.



PRESSURELUBE
INTERNATIONAL

ON LINE VALVE LUBRICATION & SEALING
23 JACKSON STREET, BASSENDEAN
WESTERN AUSTRALIA 6054
PHONE: +61-8-9379 1200 FAX: 61-8-9279 9929

TITLE: PLI PRESSURE RELIEF TOOL

DRAWING NUMBER: PLI-PRT

DRAWN BY: DAVID BRAMLEY

© COPYRIGHT

DATE: 3/5/05